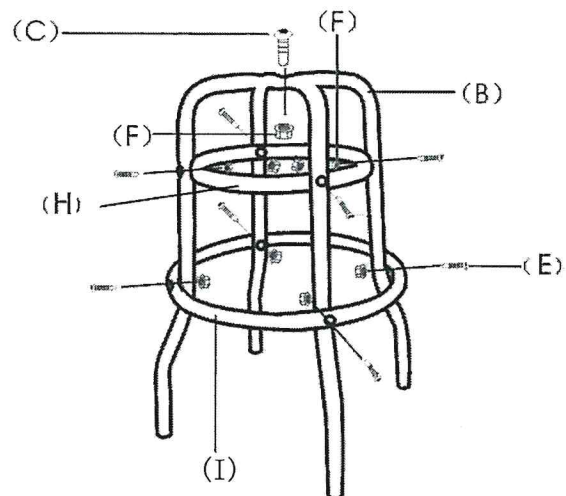
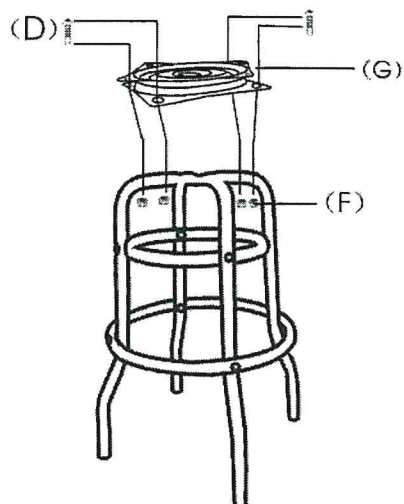


# ASSEMBLY INSTRUCTION

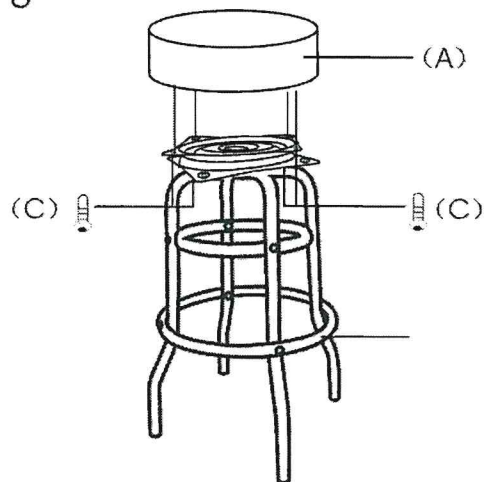
STEP 1



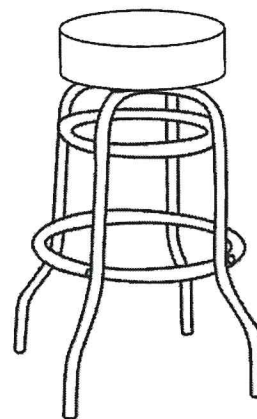
STEP 2



STEP 3



STEP 4



No	PARTS	QTY
A		1pc
B		2pcs
C		(6*20mm) 4pc (6*20mm) 1pc
D		(6*35mm) 4pc
E		(6*45mm) 8pc
F		13pcs
G		1pc
H		1pc
I		1pc
J		1pc

